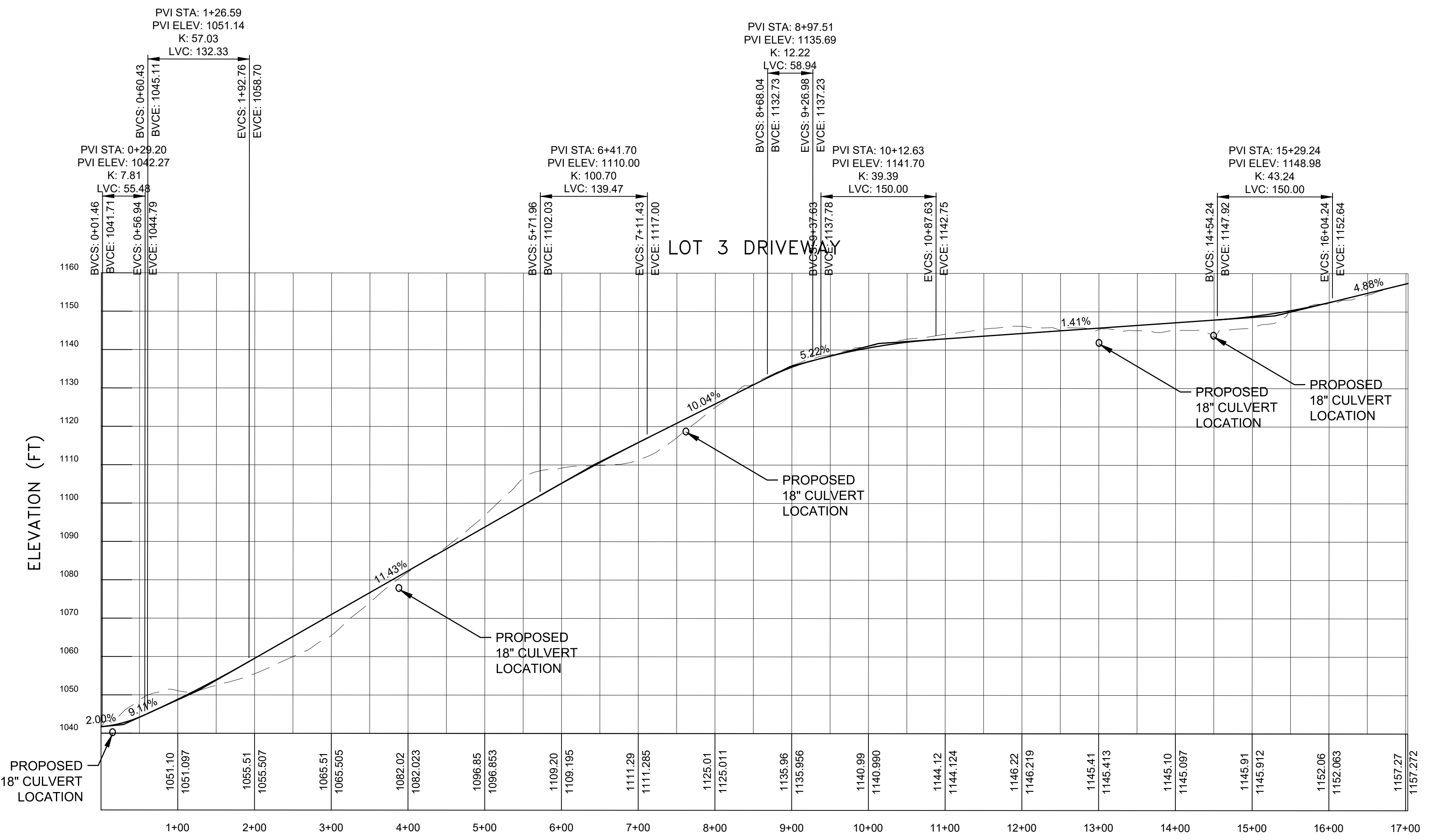
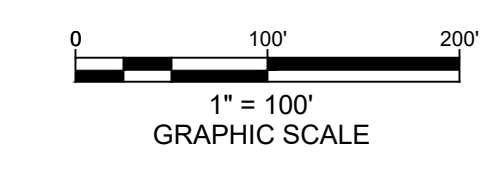




SITE PLAN

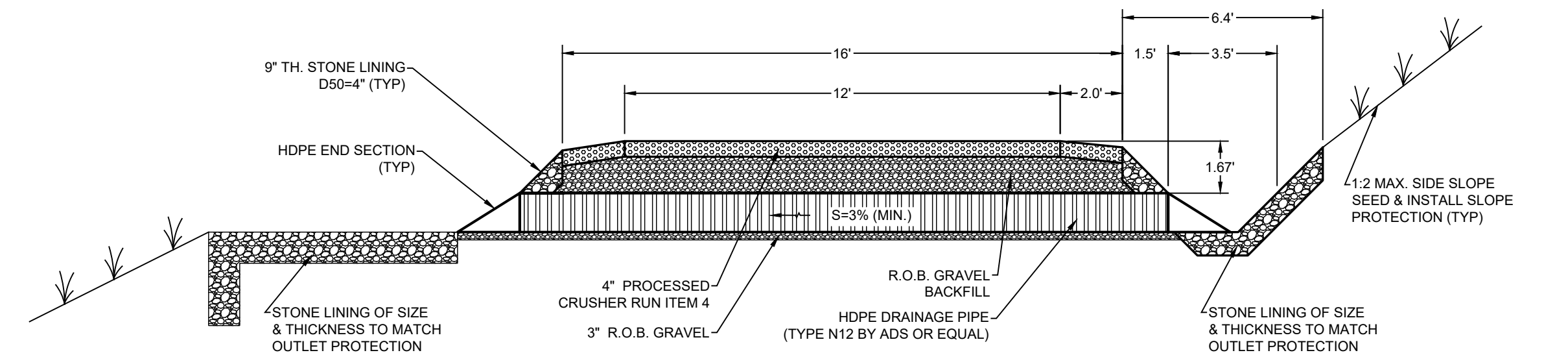
SCALE: 1" = 100'



DRIVEWAY PROFILE

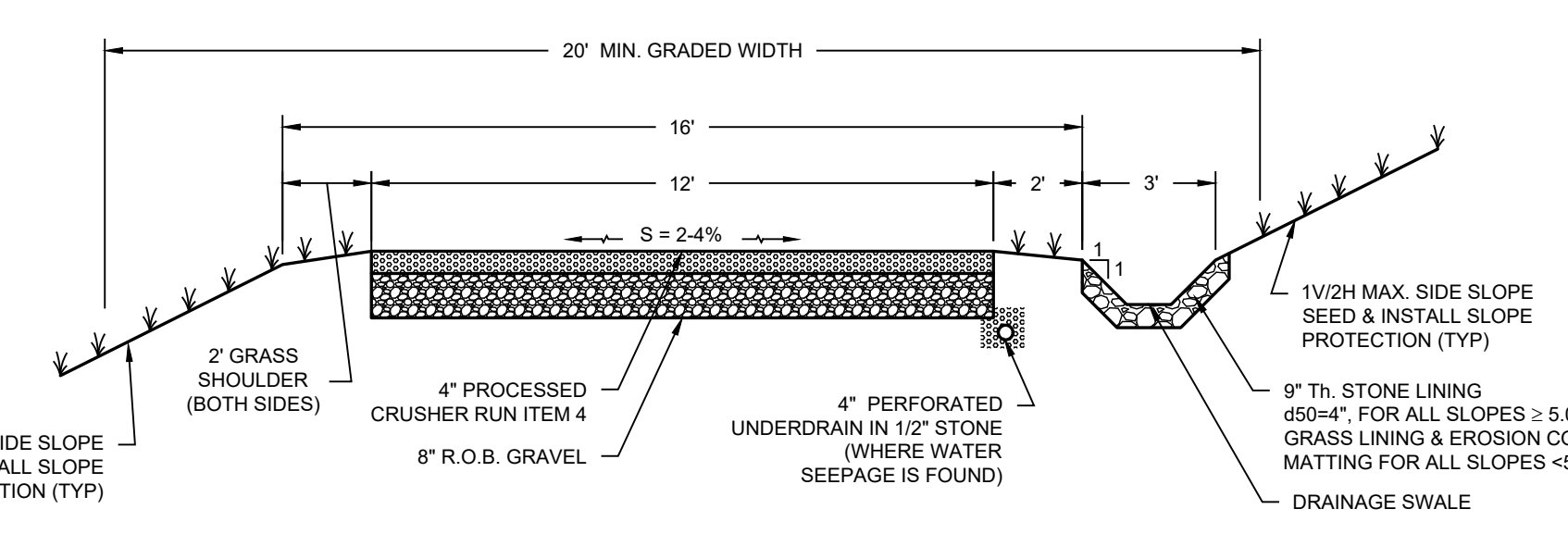
SCALE: HORZ. 1" = 100'
VERT. 1" = 20'

MAP NOTES:
1. TOPOGRAPHIC AND PROPERTY DATA BASED UPON ACTUAL FIELD SURVEY COMPLETED BY BLY AND HOUSTON, LLP ON OR BEFORE SEPTEMBER 23, 2022.



TYPICAL DRIVEWAY SECTION WITH CULVERT

N.T.S.

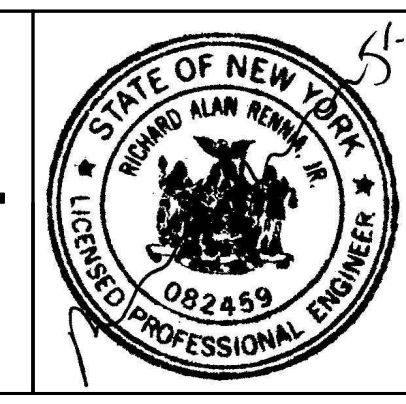


TYPICAL GRAVEL FARM ROAD / SWALE SECTION

N.T.S.

DATE	REVISION

ENGINEERING, DESIGN, & PLANS PREPARED BY:
RENNIA ENGINEERING DESIGN, PLLC
CIVIL • ENVIRONMENTAL • STRUCTURAL
9 Dover Village Plaza, Suite 5, P.O. Box 400, Dover Plains, NY 12522
Tel: (845) 877-0555 Fax: (845) 877-0556
Copyright 2024. All Rights Reserved.



LANDS OF TOWER HILL 2014 LLC
TOWN OF AMENIA DUTCHESS COUNTY, NY

LOT 1 DRIVEWAY WORKSHEET

DATE	SCALE	DESIGNED BY	DRAWN BY	CHECKED BY	JOB NO.	SHEET NO.
01/20/2025	AS SHOWN	RED	RED	RAR	15-014	1 of 2