



WETLAND PERMIT MAP

1" = 30'
GRAPHIC SCALE

LEGEND

EXISTING PROPERTY LINE	—○—○—○—
EXISTING CONTOUR	—502—
EXISTING UTILITY POLE	—○—
EXISTING STREAM BOUNDARY	—○—
EXISTING WETLAND BOUNDARY	—○—
NYSDEC 100' ADJACENT AREA	—○—
WETLAND FLAGS	—○—

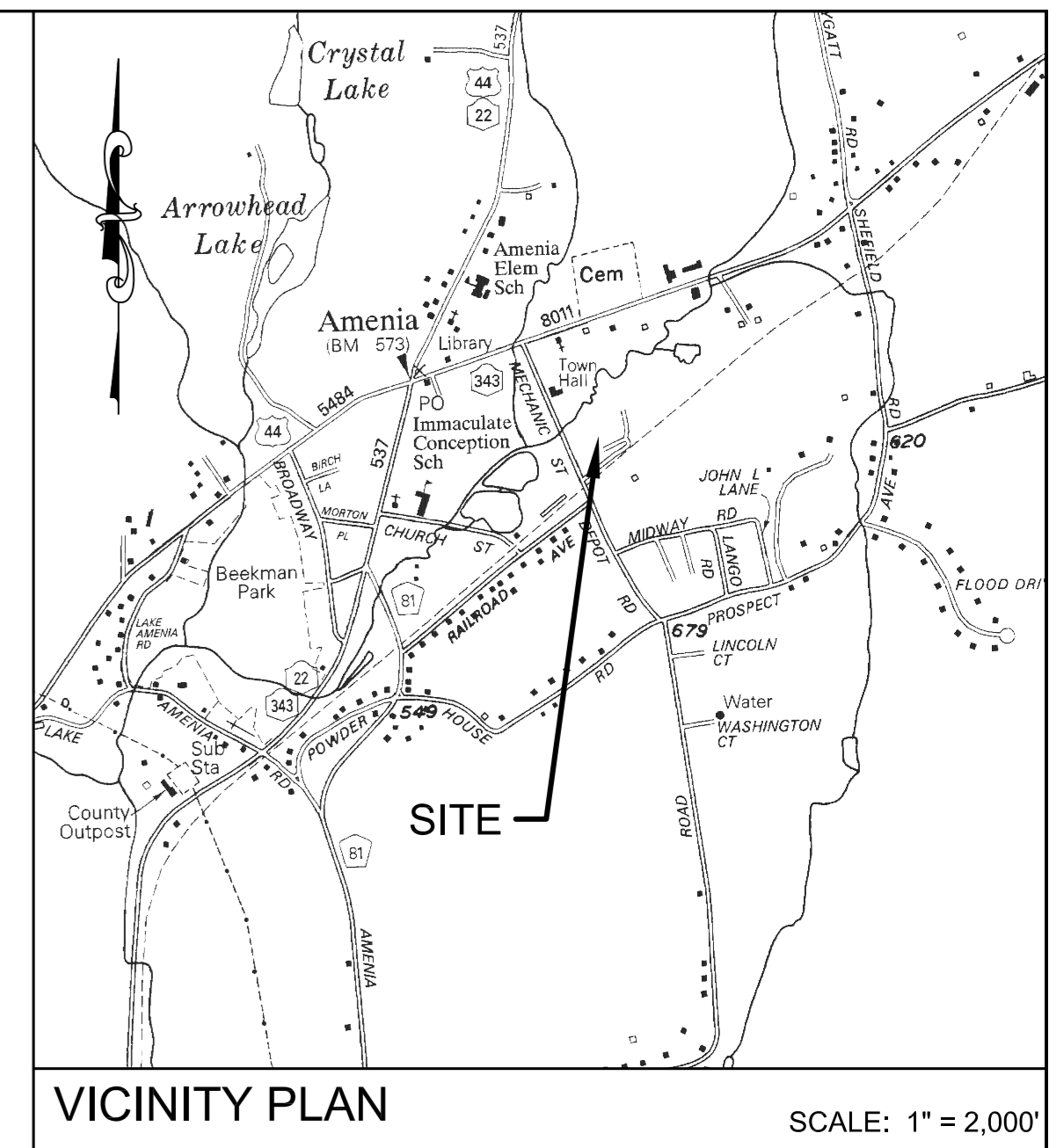
SITE DATA
 ZONING DISTRICT: "HM" HAMLET-MIXED USE
 LOT SIZE: 4.29 ACRES
 TAX GRID No.: 132000-7167-14-279456
 PROPERTY ADDRESS: 36 MECHANIC ST. AMENIA, NY 12501
 PROPERTY OWNER: AMENIA FIRE COMPANY NO. 1, INC. 36 MECHANIC ST. AMENIA, NY 12501

DATE	REVISION
12/29/21	REVISIONS FOR NYSDEC SUBMISSION

ENGINEERING, DESIGN, & PLANS PREPARED BY:
RENNIA ENGINEERING DESIGN, PLLC
 CIVIL & ENVIRONMENTAL ENGINEERING
 6 Dover Village Plaza, Suite 5, P.O. Box 400, Dover Plains, NY 12522
 Tel: (845) 877-0555 Fax: (845) 877-0556
 Copyright 2021, All Rights Reserved
 IT IS A VIOLATION OF NEW YORK STATE EDUCATION LAW FOR ANY PERSON TO ALTER THESE PLANS, SPECIFICATIONS OR REPORTS IN ANY WAY, UNLESS ACTING UNDER THE DIRECTION OF A LICENSED PROFESSIONAL ENGINEER.

BOG TURTLE PLAN NOTES:

- THE FOLLOWING MEASURES WILL BE UTILIZED AT THIS SITE TO ASSURE THAT POTENTIAL DIRECT IMPACTS DURING CONSTRUCTION ARE AVOIDED AND MINIMIZED:
- SITE WORK (EARTH MOVING FOR SEPTIC FIELDS AND STRUCTURE FOUNDATION INSTALLATION) SHOULD BE CONDUCTED BETWEEN OCTOBER 16 AND APRIL 14 WHEN PRACTICAL.
 - FOR WORK BETWEEN APRIL 15TH AND OCTOBER 15TH, A TEMPORARY RESTRICTIVE BARRIER SHALL BE USED FOR LAND DISTURBANCE ACTIVITIES WITH THE BARRIER ENCLOSING EACH AREA OF DISTURBANCE AS SHOWN ON THE PLAN. REGULAR DAILY INSPECTIONS WILL OCCUR TO ENSURE CONTINUED EFFECTIVENESS. DETAILS DEPICTING THE DESIGN AND INSTALLATION OF THE FENCE AND INSTALLATION LOCATIONS ARE ON THIS PLAN. THE BARRIER SHALL BE INSTALLED PRIOR TO ANY DISTURBANCE ACTIVITIES. IF NEEDED, A FUNCTIONAL GATE WOULD BE INSTALLED THAT WOULD ALSO KEEP TURTLES FROM ACCESSING THE SITE. THE DEFAULT STATUS OF SUCH A GATE WOULD BE CLOSED UNLESS STAFF OR MATERIALS ARE MOVING INTO OR OUT OF THE WORK SITE.
 - IF THE BARRIER IS INSTALLED BETWEEN OCTOBER 16TH AND APRIL 14TH, IT SHOULD BE INSPECTED BEFORE WORK BEGINS APRIL 15TH. IF INSTALLED FROM APRIL 15TH TO OCTOBER 15TH, A LICENSED BOG TURTLE MONITOR MUST BE PRESENT DURING INSTALLATION. IF INSTALLED FROM APRIL 15TH TO OCTOBER 15TH, A TURTLE MONITOR MUST SWEEP THE AREA WITHIN THE BARRIER FOR TURTLES BEFORE WORK CAN START.
 - SITE CONTRACTORS AND WORKERS, MAINTENANCE PERSONNEL AND RESIDENTS WILL BE PROVIDED WITH THE PREPARED EDUCATIONAL AND ENCOUNTER PLAN.
 - BOG TURTLE ENCOUNTER PLAN: THE FOLLOWING GUIDELINES WILL BE USED IN THE EVENT THAT A TURTLE IS ENCOUNTERED ON THE SITE DURING THE CONSTRUCTION:
 - PERSONNEL WORKING AT THE SITE WILL BE TRAINED TO BE ABLE TO IDENTIFY, AND LOCATE BOG TURTLES BY A KNOWLEDGEABLE BIOLOGIST. TURTLES CAN ONLY BE MOVED BY A QUALIFIED BIOLOGIST WITH KNOWLEDGE OF BOG TURTLES AND RELOCATION PROCEDURES WHO IS ALSO LICENSED BY THE NYSDEC TO HANDLE BOG TURTLES.
 - IT IS ILLEGAL TO TAKE, IMPORT, TRANSPORT, POSSES, OR SELL AN ANIMAL LISTED AS THREATENED WITHOUT A LICENSE.
 - IF A TURTLE IS SEEN, STOP ALL GROUND DISTURBING WORK IMMEDIATELY.
 - CONTACT THE CONTRACTOR IN CHARGE AND DELAY WORK IN THE AREA UNTIL THE TURTLE HAS MOVED SAFELY FROM THE AREA. ALLOW THE TURTLE TO CONTINUE ON ITS WAY.
 - IF THE TURTLE DOES NOT MOVE ALONG ON ITS OWN, PLEASE CONTACT THE NYS DEPARTMENT OF ENVIRONMENTAL CONSERVATION REGION 3 BUREAU OF WILDLIFE AT 845-256-3098 FOR INFORMATION REGARDING NEXT STEPS AND MOVING THE SPECIES IN ACCORDANCE WITH NEW YORK STATE LAW.
 - REPORT ANY ENCOUNTERS WITHIN 24 HOURS AT 845-256-3098 AND WILDLIFE.R3@DEC.NY.GOV. PLEASE PROVIDE THE LOCATION, THE PROJECT NAME, AND EXPLANATION OF INCIDENT.
 - IF A TURTLE WAS FOUND WITHIN A TURTLE EXCLUSION FENCE, OR RESTRICTIVE BARRIER FENCE, A LICENSED MONITOR WILL BE CONTACTED TO MOVE IT. WORK CANNOT COMMENCE TILL FENCING IS INSPECTED BY AND SIGNED OFF ON BY A KNOWLEDGEABLE BOG TURTLE CONSULTANT. IN ADDITION TO INSPECTING THE FENCE AND SUPERVISING NECESSARY REPAIRS, THE LICENSED MONITOR WILL INSPECT THE AREA INSIDE THE FENCE FOR ANY ADDITIONAL TURTLES BEFORE WORK RECOMMENCES.
 - THE PROJECT SPONSOR WILL PROVIDE EDUCATIONAL MATERIALS FOR ALL CONTRACTORS TO INFORM OF THE POTENTIAL FOR BOG TURTLE ENCOUNTERS AND WHAT TO DO IF A TURTLE IS ENCOUNTERED TO ENSURE THE ANIMALS ARE NOT COLLECTED OR PERSECUTED.
 - IF A TURTLE IS OBSERVED IN THE WORK AREA ALL WORK WILL CEASE UNTIL WRITTEN AUTHORIZATION TO CONTINUE WORK IS RECEIVED FROM THE NYSDEC.
 - TRAP HAZARD PROTECTION:
 - WATER CONTROL STRUCTURES, SUCH AS DRAINPIPES, MAY CREATE A TRAP HAZARD TO BOG TURTLES. TO PREVENT POSSIBLE ENTRAPMENT OF BOG TURTLES, THE STORM DRAIN GRATES WILL BE DESIGNED WITH THE SMALLEST POSSIBLE GRATE OPENING WITHOUT COMPROMISING SAFETY OR NECESSARY FLOW RATE.
 - BELOW-GROUND SWIMMING POOLS MUST BE SURROUNDED BY FENCING TO EXCLUDE TURTLES OF ALL AGE CLASSES. THE FENCING MUST BE FINE GRADE WIRE CLOTH (1/4 INCH SQUARE MESH SIZE) AT THE BASE OF A PICKET FENCE OR INSTALL A 10'-12' HIGH BARRIER TO PREVENT TURTLES FROM TRAVELING INTO THE HAZARD AREA.
 - WINDOW WELLS SHOULD HAVE GRATES (1 INCH SQUARE MESH SIZE OR LESS) OR 10'-12' HIGH VERTICAL BARRIERS SURROUNDING THE WELL.
 - ANY EXCAVATION WORK DONE BETWEEN APRIL 14TH AND OCTOBER 16TH SHOULD BE BACKFILLED ON THE SAME DAY AS EXCAVATED OR RAMPS (30 DEGREE ANGLE MAXIMUM) SHOULD BE PLACED INSIDE THE EXCAVATION TO ENABLE TURTLES TO CLIMB OUT.

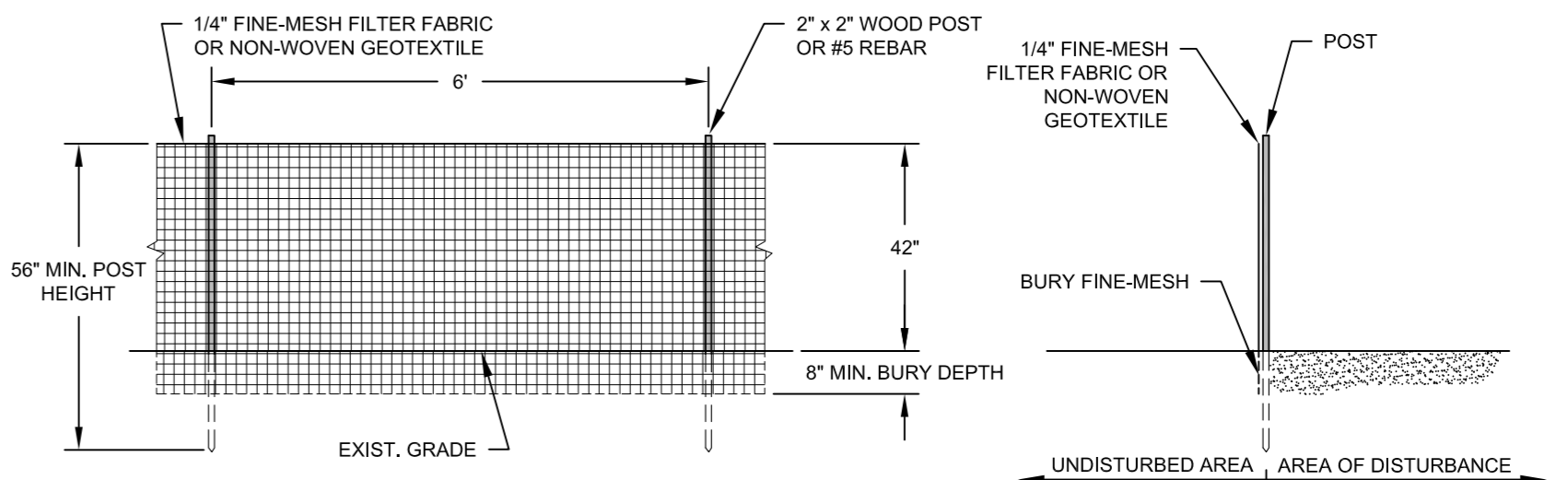


BOG TURTLE HABITAT NOTES:

- TEMPORARY BARRIER:** WHEN GROUND DISTURBANCE OCCURS DURING THE PERIOD OF APRIL 16TH THROUGH OCTOBER 14TH A TEMPORARY RESTRICTIVE BARRIER SHALL BE INSTALLED AROUND THE PERIMETER OF THE DISTURBANCE FOOTPRINT IN ACCORDANCE WITH THE CONSTRUCTION DETAIL AND AS SHOWN ON THE PLAN.
- THE BARRIER SHALL BE MAINTAINED UNTIL THE END OF THE PROJECT CONSTRUCTION PHASE OR UNTIL THE BEGINNING OF THE NEXT ACCEPTABLE WORK PERIOD, WHICHEVER OCCURS FIRST.
- THE BARRIER SHALL BE INSPECTED DAILY AND REPAIRED IMMEDIATELY TO A FULLY FUNCTIONAL CONDITION.

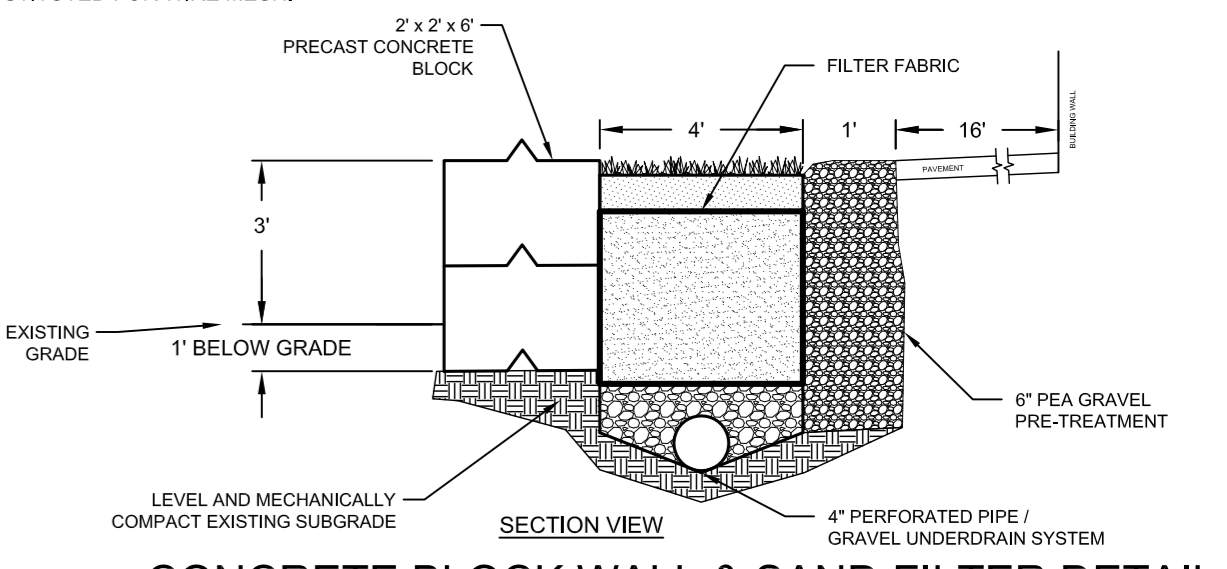
RATTLESNAKE HABITAT NOTES:

- SEASONAL RESTRICTIONS:** GROUND DISTURBANCE ACTIVITIES, INCLUDING MOVEMENT OF CONSTRUCTION VEHICLES, EXCAVATION, AND ALTERATION OF VEGETATION, SHALL BE CONDUCTED DURING THE PERIOD OF NOVEMBER 1ST THROUGH MARCH 31ST AS THIS WHEN SNAKES ARE EXPECTED TO BE HIBERNATING.
- TEMPORARY BARRIER:** WHEN GROUND DISTURBANCE OCCURS DURING THE PERIOD OF APRIL 15TH THROUGH OCTOBER 31ST A TEMPORARY RESTRICTIVE BARRIER SHALL BE INSTALLED AROUND THE PERIMETER OF THE DISTURBANCE FOOTPRINT IN ACCORDANCE WITH THE CONSTRUCTION DETAIL.
- THE BARRIER SHALL BE MAINTAINED UNTIL THE END OF THE PROJECT CONSTRUCTION PHASE OR UNTIL THE BEGINNING OF THE NEXT ACCEPTABLE WORK PERIOD, WHICHEVER OCCURS FIRST.
- THE BARRIER SHALL BE INSPECTED DAILY AND REPAIRED IMMEDIATELY TO A FULLY FUNCTIONAL CONDITION.



TEMPORARY TURTLE BARRIER DETAIL

- SCALE: N.T.S.
- NOTES:**
- PROVIDE GATES AT THE ENTRANCE OF CONSTRUCTION TRAFFIC.
 - WIRE MESH TO BE FASTENED SECURELY TO POSTS WITH 3/4" STAPLES OR WIRE TIES.
 - FILTER FABRIC OR NON-WOVEN GEOTEXTILES MAY BE SUBSTITUTED FOR WIRE MESH.



CONCRETE BLOCK WALL & SAND FILTER DETAIL

- SCALE: N.T.S.
- NOTES:**
- BLOCKS SHALL BE SELECTED AND PLACED IN A UNIFORM AND CONSISTENT MANNER TO PROVIDE A UNIFORM FACE.
 - BACKFILL SHALL BE SOUND DURABLE SAND, GRAVEL, STONE OR BLEND OF THESE MATERIALS. FREE OF ORGANIC AND OTHER DELETERIOUS MATERIALS. PLACE AND COMPACT IN 12" LIFTS MAXIMUM.
 - LEVEL AND PROOF-ROLL WALL SUB-BASE. SUB-BASE SHALL BE GRAVEL OR SANDY GRAVEL WITH A 3000 PSF BEARING CAPACITY MINIMUM.

MAP NOTES:

- PROPERTY AND TOPOGRAPHIC SURVEY DATA BASED UPON AN ACTUAL FIELD SURVEY COMPLETED IN JUNE OF 2021 BY KIRK K. HORTON, NYS L.S. NO. 49954.
- A PORTION OF REGULATORY WETLAND NYSDEC AM-9 IS PRESENT ON PROJECT SITE.
- THE FRESHWATER WETLAND BOUNDARY AS REPRESENTED ON THESE PLANS ACCURATELY DEPICTS THE LIMITS OF FRESHWATER WETLAND AM-9 AS DELINEATED BY MICHAEL NOWICKI OF ECOLOGICAL SOLUTIONS, LLC, ON OCTOBER 20, 2019. WETLAND BOUNDARY BASED UPON ACTUAL FIELD SURVEY, COMPLETED ON OR BEFORE JUNE 22, 2021, BY KIRK K. HORTON, NYS L.S. NO. 49954.
- AS PER FEMA FIRM PANEL 36027C0331E, AREAS OF SPECIAL FLOOD HAZARD ARE PRESENT ON OR WITHIN THE SITE.

TOWN OF AMENIA		AMENIA FIREHOUSE MECHANIC STREET		DUTCHESS COUNTY, NY	
WETLAND PERMIT PLAN					
DATE	SCALE	DESIGNED BY	DRAWN BY	CHECKED BY	JOB NO. SHEET NO.
10/19/2021	1"=30'	RED	RED	RAR	15-004 1 of 1